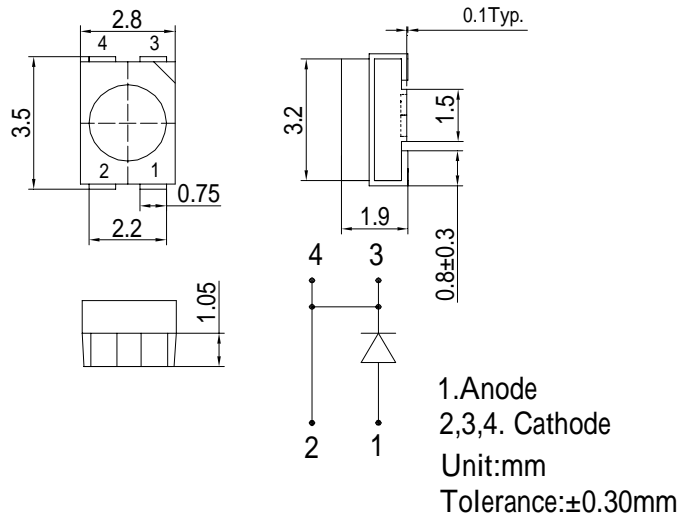


**■Features**

- High Luminous PLCC4 Power Top SMD LEDs
- 3.5x2.8x1.9mm Standard Directivity
- Long Lifetime Operation
- Superior Weather-resistance
- UV Resistant Epoxy

**■Applications**

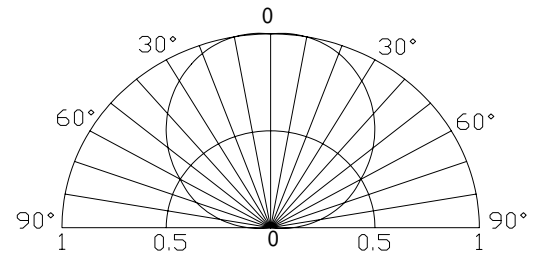
- Automotive Dashboard Lighting
- Traffic Signal Lamp
- Back Lighting
- Other Lighting

**■Outline Dimension**

**■Absolute Maximum Rating**

(Ta=25 )

| Item                       | Symbol          | Value     | Unit |
|----------------------------|-----------------|-----------|------|
| DC Forward Current         | I <sub>F</sub>  | 50        | mA   |
| Pulse Forward Current*     | I <sub>FP</sub> | 120       | mA   |
| Reverse Voltage            | V <sub>R</sub>  | 5         | V    |
| Power Dissipation          | P <sub>D</sub>  | 190       | mW   |
| Operating Temperature      | Topr            | -30 ~ +85 |      |
| Storage Temperature        | Tstg            | -40~ +100 |      |
| Lead Soldering Temperature | Tsol            | 260 /5sec | -    |

\*Pulse width Max.10ms , Duty ratio max 1/10

**■Directivity**

**Electrical -Optical Characteristics**

(Ta=25 )

| Item                      | Symbol            | Condition            | Min. | Typ. | Max. | Unit |
|---------------------------|-------------------|----------------------|------|------|------|------|
| DC Forward Voltage        | V <sub>F</sub>    | I <sub>F</sub> =50mA | 3.0  | 3.3  | 3.8  | V    |
| DC Reverse Current        | I <sub>R</sub>    | V <sub>R</sub> =5V   | -    | -    | 10   | μA   |
| Luminous Intensity*       | I <sub>v</sub>    | I <sub>F</sub> =50mA | 2180 | 3000 | -    | mcd  |
| Chromaticity Coordinates* | x                 | I <sub>F</sub> =50mA | -    | 0.45 | -    |      |
|                           | y                 | I <sub>F</sub> =50mA | -    | 0.41 | -    |      |
| 50% Power Angle           | 2θ <sub>1/2</sub> | I <sub>F</sub> =50mA | -    | 120  | -    | deg  |

\*1 Tolerance of chromaticity coordinates is ±10%

\*2 Tolerance of luminous intensity is ±15%